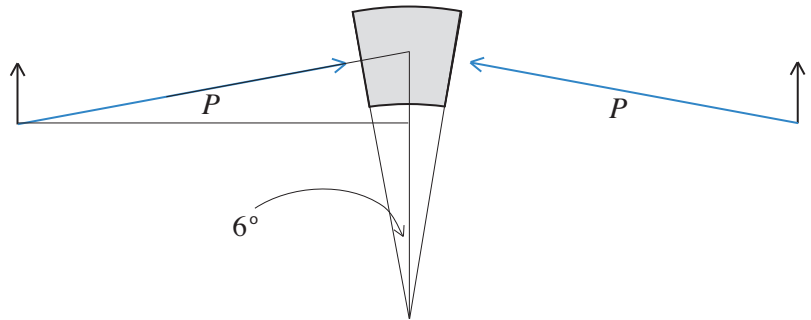


Quiz 3. February 4, 09. Name

1. Describe some of the important features of the dome of the Pantheon. Consider external features, internal features, and structural features.

2. The keystone of a Roman arch weigh 400 pounds. Use this information and the diagram below to compute the upward push P from the voussoirs below the keystone. (As is done in the text, ignore friction.)



3. Explain what hoopstress is and what structural problems it causes in a dome.